

Supplement

Set the printer driver as follows if you are using EPSON Photo Paper(329mm x 10m) S041233:

Media Type: Photo Paper

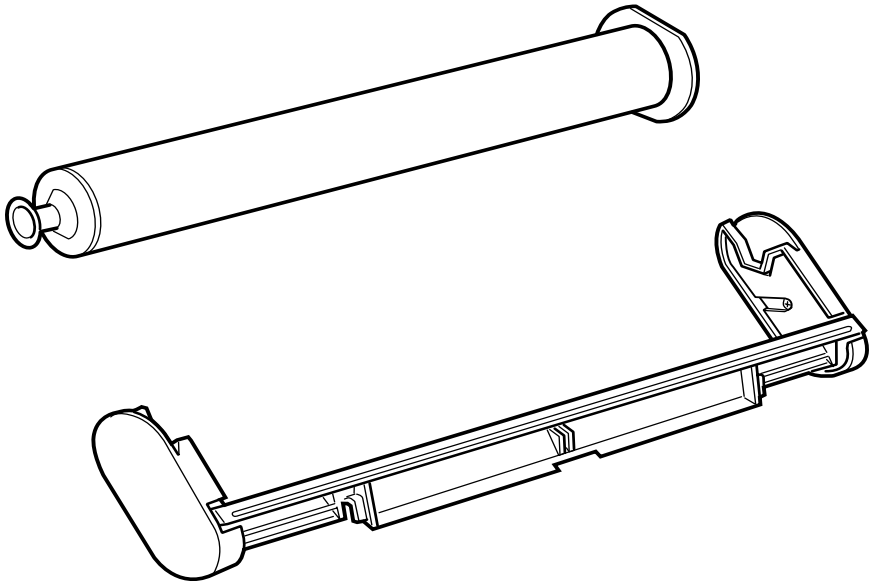
Paper Source: Banner

Paper Size: Super A3/B

EPSON®

English

Roll Paper Holder C81106*



English

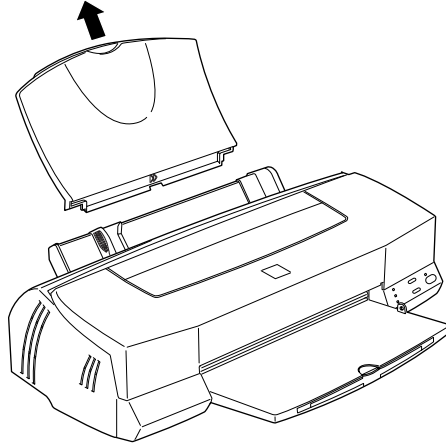
Contents

Installing the Roll Paper Holder	2
Printing on Roll Paper	2
Preparing the printer	2
Loading roll paper	3
Printing	5
Cutting off and ejecting the roll paper	5
Switching Between Roll Paper and Single Sheets.....	7

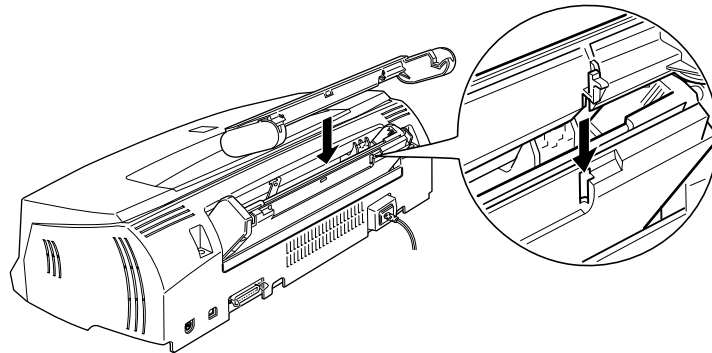
Installing the Roll Paper Holder

Follow these steps to install the roll paper holder.

1. Remove the paper support from the printer.



2. Mount the roll paper holder in the slot on the back of the sheet feeder.



Note:

When using roll paper make sure there is sufficient space in front of the printer for paper to eject. If possible, mount the printer higher than usual and allow the paper to be ejected to the front and down.

Printing on Roll Paper

Preparing the printer

Once you start a print job, you cannot clean the print head or replace the ink cartridges until the job is finished. Before printing, please run a nozzle check to see if you need to clean the print head.

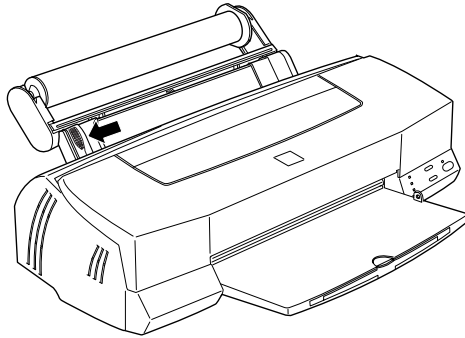
We also recommend that you check the remaining ink levels using the Status Monitor utility (Windows and Macintosh) to make sure you have enough ink to complete the print job. (See your printer manual for instructions.)

If the printer runs out of ink while you are printing, you cannot resume printing from that point even if you replace the empty cartridge. If there is only a small amount of ink remaining in either cartridge, replace the cartridge(s) before printing. See your printer manual for instructions on replacing outdated ink cartridges before the black or color ink lights begin flashing.

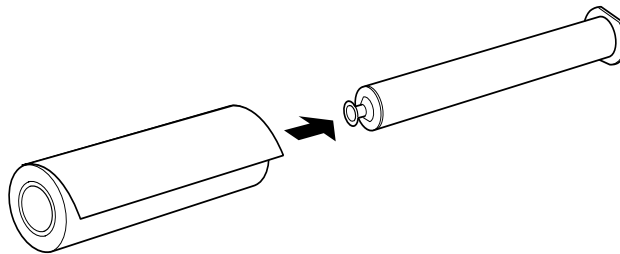
Loading roll paper

Follow these steps to load roll paper.

1. Turn on the printer.
2. Move the left edge guide all the way to the left.

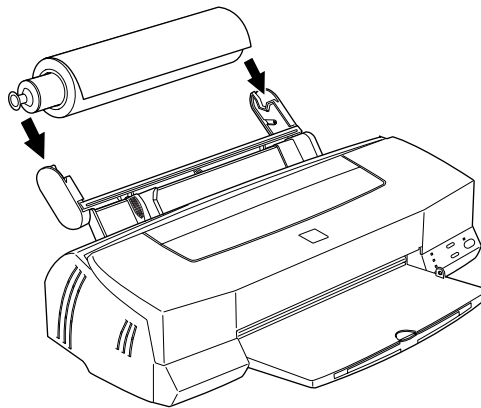


3. Insert the roll paper spindle into the roll paper making sure both are positioned as shown.

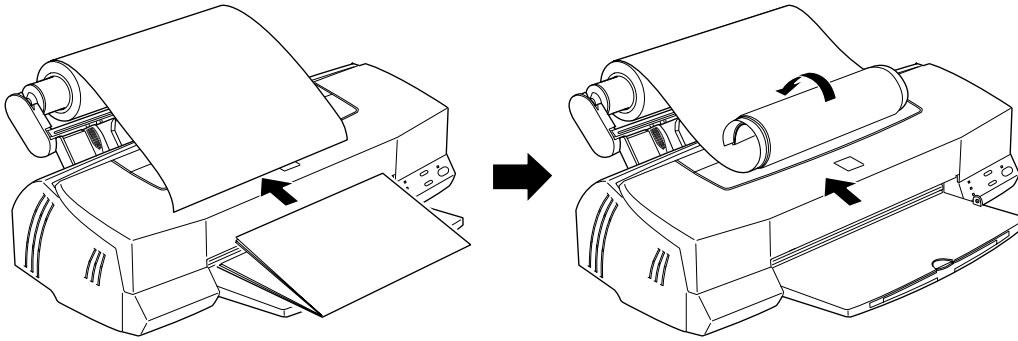


Note:

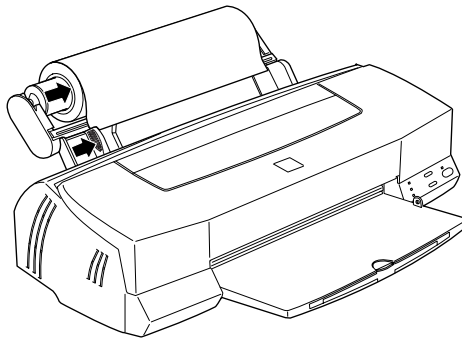
- ❑ The printable side (glossy surface) of the roll paper is on the outside of the roll.
 - ❑ For best results, use roll paper distributed by EPSON.
4. Insert the roll paper spindle into the holder with the large disk on the right.



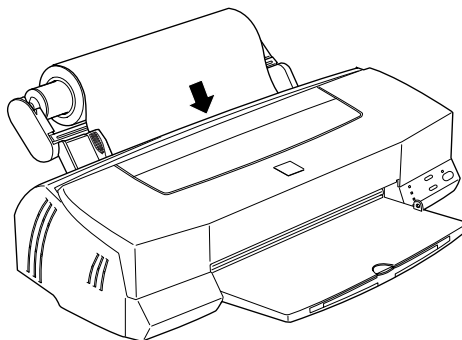
5. To correct any warping or curling in the roll paper, place it (printable side up) between the pages of this manual to protect the printable side and edges. Roll the paper inside the manual in the direction opposite of the paper's curl.




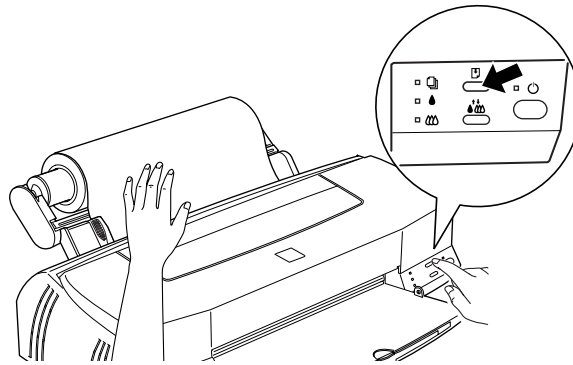
6. Move the entire paper roll assembly all the way to the right until it aligns with the right sheet feeder guide, then slide the left edge guide over to match the paper width.




7. Insert the end of the paper into the printer along the edge guides, then adjust the left edge guide again to the paper's edge as needed.



8. While holding the paper, press and release the  load/eject button. The paper will feed into the printer.



Note:

- Do not hold the  load/eject button down for two seconds or longer, or the paper will eject, preventing it from being fed into the printer.
- If the paper cannot be loaded, pull it out of the printer from the rear, and then repeat steps 7 and 8 again.
- The paper is loaded at a diagonally, see "Cutting off and ejecting the roll paper" below, to eject the paper from the printer. Load it again by repeating steps 5 through 8 above.

Printing

1. Make sure the printer driver settings (Media Type, Paper Source, Paper Size, etc.) are correct.

Note:

- Refer to the enclosed Supplement Sheet for details on printer driver settings.
- Do not select the PhotoEnhance setting.

2. Send your print job from the computer to start printing.

Note:

Allow time for the ink to dry thoroughly after printing.

For more information on printer driver settings, see your printer manual.

Cutting off and ejecting the roll paper

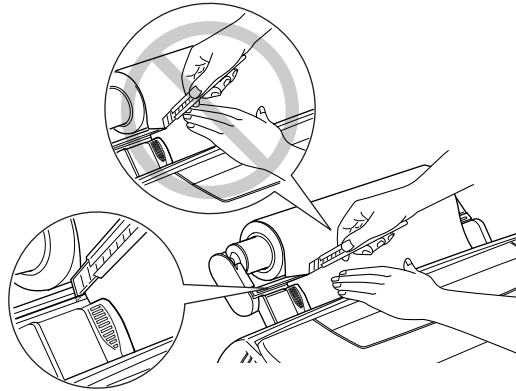
If printing is complete, or if you run out of ink during printing, or if the printer is turned off, cut off the paper as follows and eject it.

Note:

If paper is loaded in the printer, always eject the paper using the following steps before turning the printer off.

1. Check that printing is complete, and the printer has stopped moving.

2. Hold down the paper under the cutting position at the top of the roll paper holder. Using a sharp cutting knife, cut the paper against the guide.



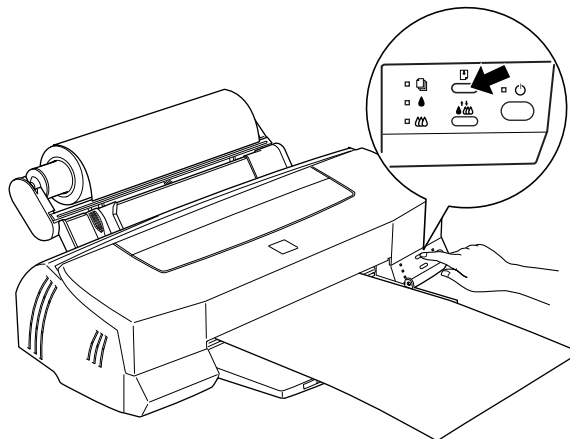
Warning:

Keep your hands clear of the knife's cutting edge.


Note:

Be sure to make a straight cut across the paper. The cut must be perpendicular to the sides of the paper, or the paper may not load properly the next time you use it.

3. Press the  load/eject button to eject the paper.



Note:

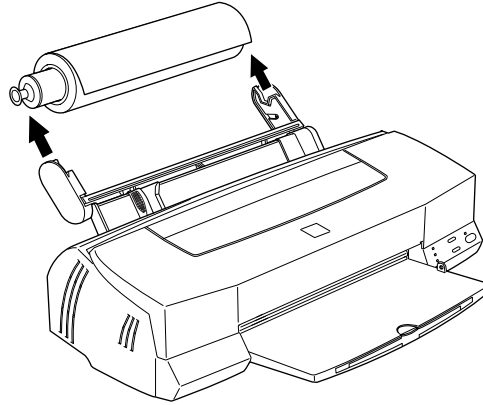
If a sheet of paper remains in the printer after a print job is cancelled, the printer power is turned off or the computer is reset or turned off, it can be removed by pressing the  load/eject button on the printer.

Switching Between Roll Paper and Single Sheets

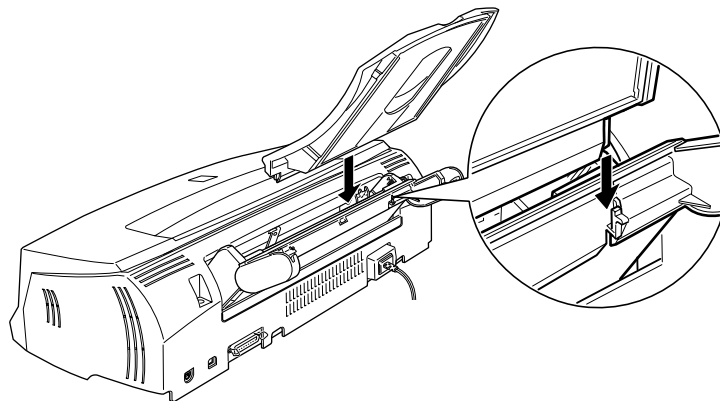
There is no need to remove the roll paper holder to print on sheet paper.

To switch from roll paper to single sheet printing, follow these steps:

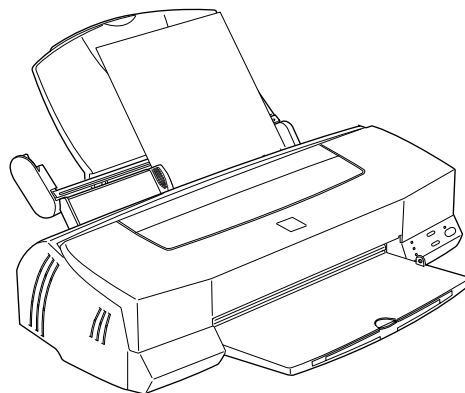
1. Remove the roll paper and spindle from the roll paper holder.



2. Mount the paper support on the roll paper holder.



3. Load the sheet paper into the printer as described in your printer manual.



Note:

If you do not plan to use the roll paper for a while, return the unused roll to its original packaging. Unfavorable storage conditions such as high temperatures, direct sunlight, or humidity can cause the paper to deteriorate.

Copyright © 1999 by SEIKO EPSON CORPORATION, Nagano, Japan.



Printed on Recycled Paper.